

# Bimetal thermometer

## Process version per EN 13190

### Model TG54

WIKA data sheet TM 54.02



For further approvals  
see page 9

#### Applications

- General process instrumentation in the chemical and petrochemical industries, oil and gas industries, power generation and water/wastewater industries
- Temperature measurement in harsh and aggressive environments
- Suitable for applications with high vibrations

#### Special features

- Nominal sizes 63, 80, 100, 160 mm [2.5, 3, 4, 6"]
- Robust, hermetically sealed case
- External reset for setting the reference temperature
- Dished dial (anti-parallax) for ease of reading
- Adjustable stem and dial version enables optimal process connection



Fig. left: Back mount (axial)

Fig. right: Back mount, adjustable stem and dial

#### Description

The model TG54 bimetal thermometer has been developed and is manufactured in accordance with the EN 13190 standard. The thermometer meets the high requirements of the process industries.

Especially in the chemical and petrochemical, oil and gas, power engineering and shipbuilding industries, the temperature measuring instrument manufactured from stainless steel is used successfully. The robust, hermetically sealed case with IP65 ingress protection enables use with harsh external conditions and high vibration.

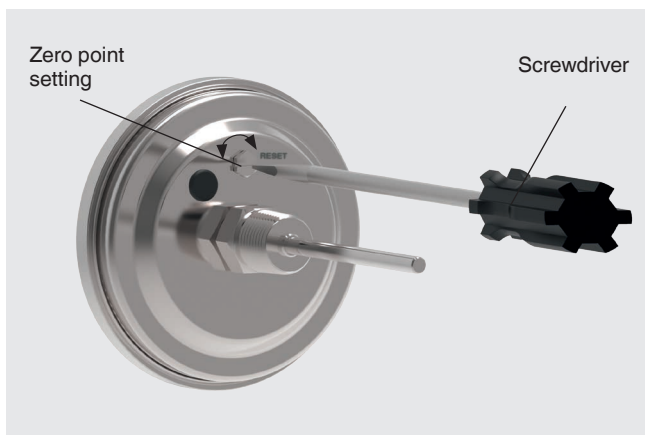
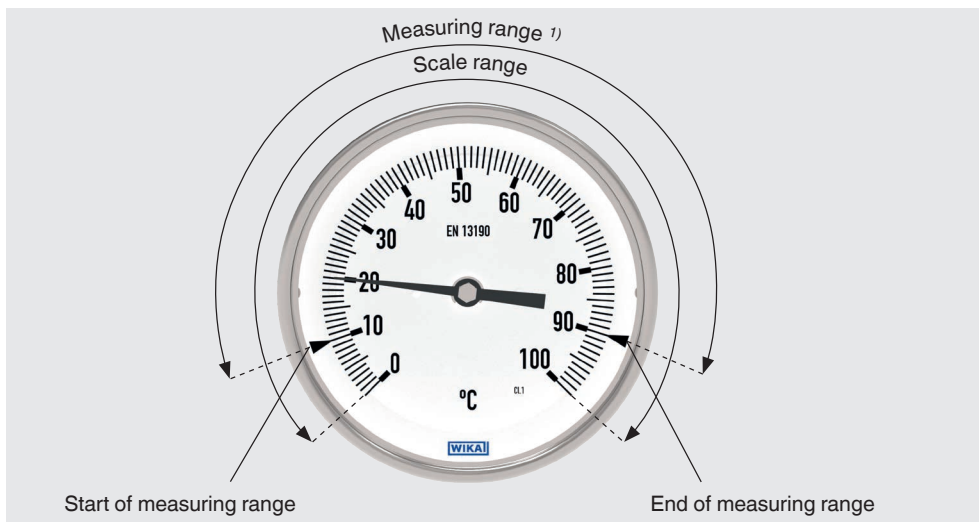
With a count of four different nominal sizes, an optimal matching to the available space and mounting conditions is possible.

At an easily accessible point on the back of the case, the zero point can be easily corrected.

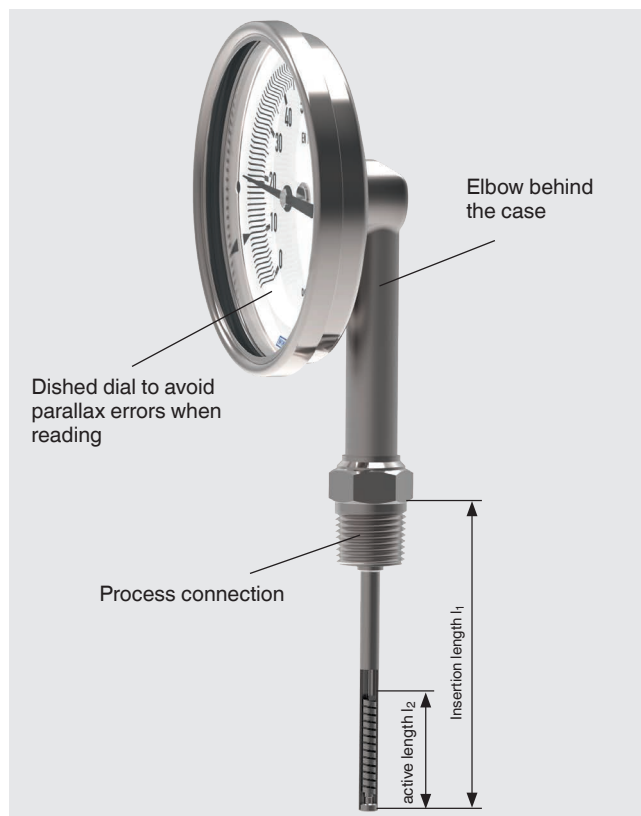
The model TG54 meets the high requirements for resistance against aggressive media. As an option, the case, the stem and the process connection can be made from 316L.

# Specifications

## Detailed views



1) Only within the measuring range will the printed accuracy class (class 1 or 2) be guaranteed.



Basic information	
<b>Standard</b>	EN 13190
<b>Nominal size</b>	<ul style="list-style-type: none"> <li>■ 63 mm [2.5"]</li> <li>■ 80 mm [3"]</li> <li>■ 100 mm [4"]</li> <li>■ 160 mm [6"]</li> </ul>
<b>Window</b>	<ul style="list-style-type: none"> <li>■ Instrument glass</li> <li>■ Laminated safety glass</li> <li>■ Polycarbonate (shatterproof)</li> </ul>
<b>Connection location</b>	<ul style="list-style-type: none"> <li>■ Back mount (axial)</li> <li>■ Lower mount (radial)</li> <li>■ Back mount, adjustable stem and dial</li> </ul>
<b>Connection design</b>	→ For drawings, see page 10
S	Standard (male threaded connection)
1	Plain stem (without thread)
2	Male nut
3	Union nut
4	Compression fitting (sliding on stem)
4.1	Compression fitting with support tube sliding on stem
<b>Versions</b>	<ul style="list-style-type: none"> <li>■ Standard version</li> <li>■ Oil- and grease-free version</li> <li>■ Silicone-oil-less version</li> </ul>
<b>Dampening, case filling</b>	<ul style="list-style-type: none"> <li>■ Without</li> <li>■ With silicone oil case filling, up to max. 250 °C [482 °F] (at the probe)</li> </ul>
<b>Material (in contact with the environment)</b>	
Case, ring	<ul style="list-style-type: none"> <li>■ Stainless steel 304</li> <li>■ Stainless steel 316</li> </ul>
Elbow behind the case (only with lower mount)	<ul style="list-style-type: none"> <li>■ Stainless steel 304</li> <li>■ Stainless steel 316</li> </ul>

Measuring element	
<b>Type of measuring element</b>	Bimetal coil
<b>Nominal effective range</b>	
Continuous load (1 year)	Measuring range (EN 13190)
Short time (max. 24 h)	→ See table „Further details on: Scale range“

Accuracy specifications	
<b>Accuracy</b>	Class 1 per EN 13190
<b>Zero adjustment</b>	On the rear side of the case

Scale range in °C	Measuring range <sup>1)</sup> in °C	Scale interval in °C
-70 ... +70	-50 ... +50	2
-70 ... +30	-60 ... +20	1
-60 ... +50	-50 ... +40	1
-50 ... +50	-40 ... +40	1
-50 ... +100	-30 ... +80	2
-50 ... +200	-20 ... +170	5
-50 ... +300	0 ... 250	5
-50 ... +400	0 ... 350	5
-50 ... +500	0 ... 450	10
-40 ... +40	-30 ... +30	1
-40 ... +60	-30 ... +50	1
-40 ... +80	-20 ... +60	2
-40 ... +160	-20 ... +140	2
-30 ... +30	-20 ... +20	1
-30 ... +50	-20 ... +40	1
-30 ... +70	-20 ... +60	1
-20 ... +40	-10 ... +30	1
-20 ... +60	-10 ... +50	1
-20 ... +80	-10 ... +70	1
-20 ... +100	0 ... 80	2
-20 ... +120	0 ... 100	2
-20 ... +140	0 ... 120	2
-10 ... +50	0 ... 40	1
0 ... 60	10 ... 50	1
0 ... 80	10 ... 70	1
0 ... 100	10 ... 90	1
0 ... 120	10 ... 110	2
0 ... 160	20 ... 140	2
0 ... 200	20 ... 180	2
0 ... 250	30 ... 220	5
0 ... 300	30 ... 270	5
0 ... 400	50 ... 350	5
0 ... 500	50 ... 450	5
0 ... 600	100 ... 500	5




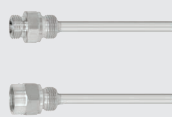
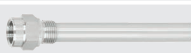

Scale range in °F	Measuring range <sup>1)</sup> in °F	Scale spacing in °F
-100 ... +150	-70 ... +120	5
-80 ... +120	-40 ... +100	2
-80 ... +240	-50 ... +210	5
-40 ... +120	-20 ... +100	2
0 ... 140	20 ... 120	2
0 ... 200	20 ... 180	2
0 ... 250	30 ... 220	5
30 ... 300	60 ... 270	2
30 ... 400	80 ... 350	5
50 ... 400	100 ... 350	5
100 ... 800	200 ... 700	10
150 ... 750	200 ... 700	5
200 ... 1,000	300 ... 900	10

1) The measuring range is indicated on the dial by two triangular marks. Only within this range is the stated error limit valid per EN 13190.

Further details on: Scale range		
<b>Unit</b>	<ul style="list-style-type: none"> <li>■ °C</li> <li>■ °F</li> <li>■ °C/°F (dual scale)</li> <li>■ °F/°C (dual scale)</li> </ul>	
<b>Overtemperature stability <sup>1)</sup></b>		
End of scale range ≥ 50 °C [120 °F] ... ≤ 120 °C [250 °F]	+ 100 % overload safety referred to end of scale range	
End of scale range > 120 °C [250 °F] ... ≤ 200 °C [400 °F]	+ 50 % overload safety referred to end of scale range	
End of scale range > 280 °C [536 °F] ... ≤ 400 °C [752 °F]	Max. 430 °C [800 °F] of end of scale range	
End of scale range > 400 °C [752 °F] ... ≤ 600 °C [1112 °F]	Max. full scale range	
<b>Dial</b>		
Scale graduation	<ul style="list-style-type: none"> <li>■ Single scale</li> <li>■ Dual scale</li> </ul>	
Scale colour	Single scale	Black
	Dual scale	Red
		→ Others on request
Material	Aluminium	
<b>Pointer</b>		
Version	Adjustable pointer	
Pointer colour	Black	
Material	Aluminium	

1) Overtemperature stability only in non-hazardous areas

Process connection	
<b>Thread size</b>	<ul style="list-style-type: none"> <li>■ Plain, without thread</li> <li>■ G ½ B</li> <li>■ ½ NPT</li> <li>■ G ½ B female</li> <li>■ ½ NPT female</li> <li>■ M20 x 1.5</li> <li>■ M24 x 1.5 female</li> </ul> <p>→ Others on request</p>
<b>Material (wetted)</b>	<ul style="list-style-type: none"> <li>■ Stainless steel 304</li> <li>■ Stainless steel 316</li> </ul>
<b>Stem</b>	
Diameter	<ul style="list-style-type: none"> <li>■ 6 mm [0.24 in]</li> <li>■ 8 mm [0.31 in]</li> </ul>
Material (wetted)	<ul style="list-style-type: none"> <li>■ Stainless steel 304</li> <li>■ Stainless steel 316</li> </ul>
<b>Thermowell/protection tube</b>	<p>In principle, the operation of a mechanical thermometer is possible without a thermowell/protection tube with low process-side loading (low pressure, low viscosity and low flow velocities).</p> <p>However, in order to enable exchanging the thermometer during operation (e.g. instrument replacement or calibration) and to ensure a better protection of the instrument and also the plant and the environment, it is advisable to use a thermowell/protection tube from the extensive WIKA portfolio.</p> <p>→ For further information on the wake frequency calculation, see Technical information IN 00.15.</p>

Process connection		
Model TW10		→ see data sheet TW 95.10 → see data sheet TW 95.11 → see data sheet TW 95.12
Model TW15		→ see data sheet TW 95.15
Model TW25		→ see data sheet TW 95.25
Model TW45		→ see data sheet TW 95.45
Model TW50		→ see data sheet TW 95.50
Model TW55		→ see data sheet TW 95.55
→ Special thermowells on request		

Operating conditions		
Ambient temperature range (at the case)	Unfilled	Filled
Instrument glass	-40 ... +100 °C <sup>1)</sup> [-40 ... +212 °F]	■ -40 ... +70 °C [-40 ... +160 °F] ■ -50 ... +70 °C [-60 ... +160 °F]
Laminated and polycarbonate window	-40 ... +70 °C <sup>1)</sup> [-40 ... +160 °F]	■ -40 ... +70 °C [-40 ... +160 °F] ■ -50 ... +70 °C [-60 ... +160 °F]
Storage temperature range		
Without liquid dampening	-50 ... +70 °C [-60 ... +160 °F]	
With liquid dampening	-40 ... +70 °C [-40 ... +160 °F]	
Max. operating pressure at stem	Max. 25 bar, static	
Ingress protection (IP code) per IEC/EN 60529	<ul style="list-style-type: none"> <li>■ IP65</li> <li>■ IP66</li> <li>■ IP67</li> <li>■ IP68 (continuous immersion to 5 m [16.4 ft])</li> </ul>	
Insertion length L <sub>1</sub>	63 ... 1,000 mm [2.5 ... 39 in]	
	Minimum/maximum length is dependent on the measuring range and diameter → See table on page 7	

1) With ambient temperatures < 0 °C [< 32 °F] the measuring system and the window can fog and possibly even frost up.

Minimum insertion length in mm [in]						
Scale range in °C	Connection location					
	Back mount		Lower mount		Back mount, adjustable stem and dial	
	Ø 6	Ø 8	Ø 6	Ø 8	Ø 6	Ø 8
-70 ... +70	80 [3.15]	63 [2.48]	80 [3.15]	80 [3.15]	80 [3.15]	80 [3.15]
-70 ... +30	90 [3.54]	80 [3.15]	100 [3.94]	90 [3.54]	100 [3.94]	90 [3.54]
-60 ... +50	90 [3.54]	80 [3.15]	100 [3.94]	90 [3.54]	100 [3.94]	90 [3.54]
-50 ... +50	90 [3.54]	80 [3.15]	90 [3.54]	80 [3.15]	90 [3.54]	80 [3.15]
-50 ... +100	80 [3.15]	63 [2.48]	90 [3.54]	80 [3.15]	90 [3.54]	80 [3.15]
-50 ... +200	80 [3.15]	80 [3.15]	90 [3.54]	80 [3.15]	90 [3.54]	80 [3.15]
-50 ... +300	125 [4.92]	125 [4.92]	125 [4.92]	125 [4.92]	125 [4.92]	125 [4.92]
-50 ... +400	125 [4.92]	125 [4.92]	125 [4.92]	125 [4.92]	125 [4.92]	125 [4.92]
-50 ... +500	125 [4.92]	125 [4.92]	125 [4.92]	125 [4.92]	125 [4.92]	125 [4.92]
-40 ... +40	100 [3.94]	90 [3.54]	125 [4.92]	100 [3.94]	125 [4.92]	100 [3.94]
-40 ... +60	90 [3.54]	80 [3.15]	90 [3.54]	80 [3.15]	90 [3.54]	80 [3.15]
-40 ... +80	90 [3.54]	80 [3.15]	90 [3.54]	80 [3.15]	90 [3.54]	80 [3.15]
-40 ... +160	80 [3.15]	63 [2.48]	80 [3.15]	63 [2.48]	80 [3.15]	63 [2.48]
-30 ... +30	125 [4.92]	100 [3.94]	125 [4.92]	125 [4.92]	125 [4.92]	125 [4.92]
-30 ... +50	90 [3.54]	80 [3.15]	100 [3.94]	90 [3.54]	100 [3.94]	90 [3.54]
-30 ... +70	90 [3.54]	80 [3.15]	100 [3.94]	90 [3.54]	100 [3.94]	90 [3.54]
-20 ... +40	125 [4.92]	90 [3.54]	125 [4.92]	100 [3.94]	125 [4.92]	100 [3.94]
-20 ... +60	90 [3.54]	80 [3.15]	100 [3.94]	90 [3.54]	100 [3.94]	90 [3.54]
-20 ... +80	80 [3.15]	80 [3.15]	90 [3.54]	80 [3.15]	90 [3.54]	80 [3.15]
-20 ... +100	80 [3.15]	63 [2.48]	80 [3.15]	80 [3.15]	80 [3.15]	80 [3.15]
-20 ... +120	80 [3.15]	63 [2.48]	80 [3.15]	80 [3.15]	80 [3.15]	80 [3.15]
-20 ... +140	80 [3.15]	63 [2.48]	80 [3.15]	80 [3.15]	80 [3.15]	80 [3.15]
-10 ... +50	125 [4.92]	90 [3.54]	125 [4.92]	100 [3.94]	125 [4.92]	100 [3.94]
0 ... 60	125 [4.92]	90 [3.54]	125 [4.92]	100 [3.94]	125 [4.92]	100 [3.94]
0 ... 80	90 [3.54]	80 [3.15]	100 [3.94]	90 [3.54]	100 [3.94]	90 [3.54]
0 ... 100	80 [3.15]	63 [2.48]	100 [3.94]	80 [3.15]	100 [3.94]	80 [3.15]
0 ... 120	80 [3.15]	63 [2.48]	80 [3.15]	80 [3.15]	80 [3.15]	80 [3.15]
0 ... 160	63 [2.48]	63 [2.48]	80 [3.15]	63 [2.48]	80 [3.15]	63 [2.48]
0 ... 200	63 [2.48]	63 [2.48]	63 [2.48]	63 [2.48]	63 [2.48]	63 [2.48]
0 ... 250	80 [3.15]	80 [3.15]	90 [3.54]	80 [3.15]	90 [3.54]	80 [3.15]
0 ... 300	125 [4.92]	125 [4.92]	125 [4.92]	125 [4.92]	125 [4.92]	125 [4.92]
0 ... 400	125 [4.92]	125 [4.92]	125 [4.92]	125 [4.92]	125 [4.92]	125 [4.92]
0 ... 500	125 [4.92]	125 [4.92]	125 [4.92]	125 [4.92]	125 [4.92]	125 [4.92]
0 ... 600	125 [4.92]	125 [4.92]	125 [4.92]	125 [4.92]	125 [4.92]	125 [4.92]

Notes:

- Optionally with 2nd scale °C/°F or °F/°C
- The minimum insertion lengths of 100 mm [3.94 in] and 125 mm [4.92 in] are valid for ≤ 15 pieces per order.  
For larger lot sizes (> 15 pieces), as a variation to the standard minimum insertion lengths, other lengths can be requested.





Minimum insertion length in mm [in]						
Scale range in °F	Connection location					
	Back mount		Lower mount		Back mount, adjustable stem and dial	
	Ø 6	Ø 8	Ø 6	Ø 8	Ø 6	Ø 8
-100 ... +150	90 [3.54]	80 [3.15]	90 [3.54]	90 [3.54]	90 [3.54]	90 [3.54]
-80 ... +120	90 [3.54]	80 [3.15]	100 [3.94]	90 [3.54]	100 [3.94]	90 [3.54]
-80 ... +240	90 [3.54]	80 [3.15]	90 [3.54]	80 [3.15]	90 [3.54]	80 [3.15]
-40 ... +120	100 [3.94]	90 [3.54]	125 [4.92]	100 [3.94]	125 [4.92]	100 [3.94]
0 ... 140	90 [3.54]	80 [3.15]	100 [3.94]	90 [3.54]	100 [3.94]	90 [3.54]
0 ... 200	125 [4.92]	125 [4.92]	125 [4.92]	125 [4.92]	125 [4.92]	125 [4.92]
0 ... 250	80 [3.15]	63 [2.48]	80 [3.15]	80 [3.15]	80 [3.15]	80 [3.15]
30 ... 300	80 [3.15]	63 [2.48]	80 [3.15]	80 [3.15]	80 [3.15]	80 [3.15]
30 ... 400	63 [2.48]	63 [2.48]	63 [2.48]	63 [2.48]	63 [2.48]	63 [2.48]
50 ... 400	63 [2.48]	63 [2.48]	63 [2.48]	63 [2.48]	63 [2.48]	63 [2.48]
100 ... 800	125 [4.92]	125 [4.92]	125 [4.92]	125 [4.92]	125 [4.92]	125 [4.92]
150 ... 750	125 [4.92]	125 [4.92]	125 [4.92]	125 [4.92]	125 [4.92]	125 [4.92]
200 ... 1,000	125 [4.92]	125 [4.92]	125 [4.92]	125 [4.92]	125 [4.92]	125 [4.92]

Notes:

- Optionally with 2nd scale °C/°F or °F/°C
- The minimum insertion lengths of 100 mm [3.94 in] and 125 mm [4.92 in] are valid for ≤ 15 pieces per order.  
For larger lot sizes (> 15 pieces), as a variation to the standard minimum insertion lengths, other lengths can be requested.

# Approvals

## Optional approvals

Logo	Description	Country
	<b>EU declaration of conformity</b> ATEX directive Hazardous areas - Ex h Zone 1 gas II 2G Ex h IIC T6 ... T1 Gb X Zone 21 dust II 2D Ex h IIIC T85 ... T450 °C Db X	European Union
	<b>KazInMetr</b> Metrology, measurement technology	Kazakhstan
-	<b>MTSCHS</b> Permission for commissioning	Kazakhstan
	<b>Uzstandard</b> Metrology, measurement technology	Uzbekistan
-	<b>CRN</b> Safety (e.g. electr. safety, overpressure, ...)	Canada
	<b>DNV GL</b> Type approval for the shipbuilding industry - Nominal size: 63 mm [2.5"], 80 mm [3"], 100 mm [4"] - Dampening: With liquid dampening - Maximum insertion length: 500 mm [19.69 in]  Location classification: Humidity DNVGL-CG-0339, section 3, class B Salt fog DNVGL-CG-0339, section 3, class D Vibration DNVGL-CG-0339, section 3, class B  Use of a thermowell/protection tube is mandatory.	International

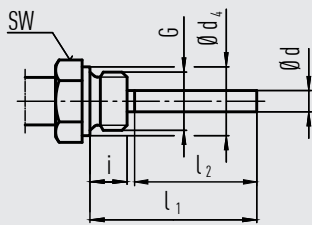
## Certificates (option)

Certificates	
<b>Certificates</b>	<ul style="list-style-type: none"> <li>■ 2.2 test report</li> <li>■ 3.1 inspection certificate with 3 test points (optionally with 5 test points)</li> </ul>

Approvals and certificates, see website

## Connection designs

### Standard design (male threaded connection)



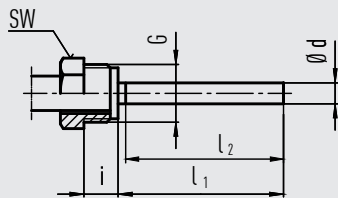
Standard insertion length  $l_1 = 100, 160, 200, 250$  mm  
[3.94, 6.3, 7.87, 9.84 in]

Recommendation: For applications with vibration on the process side

Nominal size	Process connection	Dimensions in mm [in]				
NS in mm ["]	G	i	SW	$d_4$	$\varnothing d$	
63, 80, 100, 160 [2,5, 3, 4, 6]	G ½ B	14 [0.55]	27 [1.06]	26 [1.02]	<ul style="list-style-type: none"> <li>■ 6 [0.24]</li> <li>■ 8 [0.32]</li> </ul>	
	½ NPT	19 [0.75]	22 [0.87]	-	<ul style="list-style-type: none"> <li>■ 6 [0.24]</li> <li>■ 8 [0.32]</li> </ul>	

Not suitable for use with protection tube inner diameter 6.2 mm [0.24 in] (Tube 8 x 0.9 mm [0.32 x 0.04 in]),  $\varnothing 8.2$  mm [0.32 in] (Tube 10 x 0.9 mm [0.39 x 0.04 in]) and 10.2 mm [0.4 in] (Tube 12 x 0.9 mm [0.47 x 0.04 in]).

### Design 2, male nut



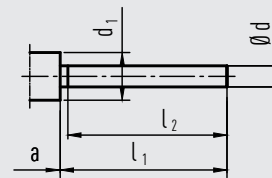
3073050.06

Standard insertion length  $l_1 = 140, 180, 230$  mm  
[5.51, 7.09, 9.06 in]

Non-sealing process connection, thus use with thermowell/protection tube.

Nominal size	Process connection	Dimensions in mm [in]				
NS in mm ["]	G	i	SW	$\varnothing d$		
63, 80, 100, 160 [2,5, 3, 4, 6]	G ½ B	20 [0.79]	27 [1.06]	<ul style="list-style-type: none"> <li>■ 6 [0.24]</li> <li>■ 8 [0.32]</li> </ul>		
	M18 x 1.5	17 [0.67]	22 [0.87]	<ul style="list-style-type: none"> <li>■ 6 [0.24]</li> <li>■ 8 [0.32]</li> </ul>		

### Design 1, plain stem (without thread)



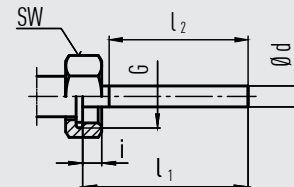
3073050.06

Standard insertion length  $l_1 = 100, 140, 160, 200, 240, 290$  mm  
[3.94, 5.51, 6.3, 7.87, 9.5, 11.42 in]

Basis for design 4, compression fitting

Nominal size	Dimensions in mm [in]			
NS in mm ["]	$d_1$	$\varnothing d$	a for axial	a for adjustable stem and dial
63, 80, 100, 160 [2,5, 3, 4, 6]	18 [0.82]	8 [0.32]	28 [1.1]	30 [1.18]

### Design 3, union nut

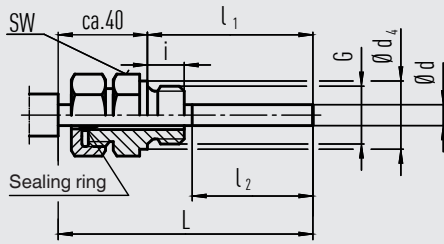


3073050.06

Standard insertion length  $l_1 = 126, 186, 226, 276$  mm  
[4.96, 7.32, 8.9, 10.87 in]

Nominal size	Process connection	Dimensions in mm [in]			
NS in mm ["]	G	i	SW	$\varnothing d$	
63, 80, 100, 160 [2,5, 3, 4, 6]	G ½ B	8.5 [0.34]	27 [1.06]	<ul style="list-style-type: none"> <li>■ 6 [0.24]</li> <li>■ 8 [0.32]</li> </ul>	
	M24 x 1.5	13.5 [0.53]	32 [1.26]	<ul style="list-style-type: none"> <li>■ 6 [0.24]</li> <li>■ 8 [0.32]</li> </ul>	

### Design 4, compression fitting (sliding on stem)



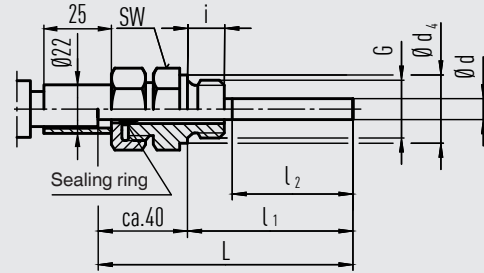
Insertion length  $l_1$  = variable  
 Length  $L = l_1 + 40$  mm [1.58 in]

Nominal size	Process connection	Dimensions in mm ["]				
		NS in mm ["]	G	i	SW	$d_4$
63, 80, 100, 160 [2,5, 3, 4, 6]	G ½ B		14 [0.55]	27 [1.06]	26 [1.02]	■ 6 ■ 8 [0.32]
	½ NPT		19 [0.75]	22 [0.87]	-	■ 6 ■ 8 [0.32]

**Legend:**

- G Male thread
- G<sub>1</sub> Female thread
- i Thread length (incl. collar)
- a Distance to the case/articulated joint
- Ø d<sub>4</sub> Diameter of the sealing collar
- SW Spanner width
- Ø d Stem diameter
- l<sub>2</sub> Active length

### Design 4.1, compression fitting with support tube sliding on stem



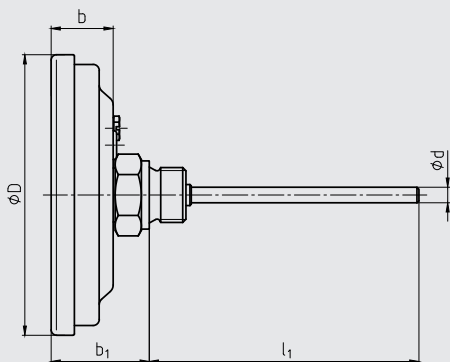
Standard insertion length  $l_1 = 63, 100, 160, 200, 250$  mm  
 [2.48, 3.94, 6.3, 7.87, 9.84 in]  
 Length  $L = l_1 + 40$  mm [1.58 in]

Nominal size	Process connection	Dimensions in mm ["]				
		NS in mm ["]	G	i	SW	$d_4$
63, 80, 100, 160 [2,5, 3, 4, 6]	G ½ B		14 [0.55]	27 [1.06]	26 [1.02]	■ 6 ■ 8 [0.32]
	½ NPT		19 [0.75]	22 [0.87]	-	■ 6 ■ 8 [0.32]

# Dimensions in mm [in]

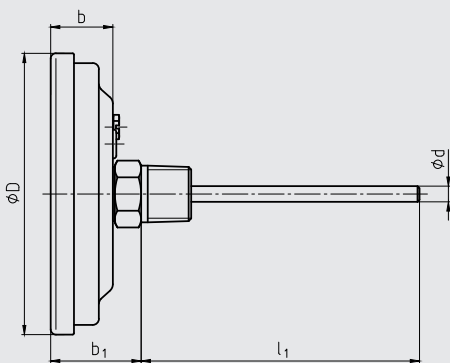
## Back mount (axial)

G thread



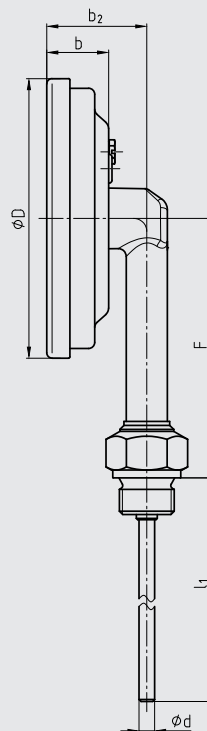
14183333.01

NPT thread

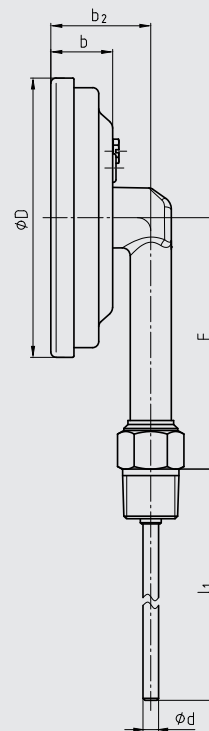


## Lower mount (radial)

G thread



NPT thread

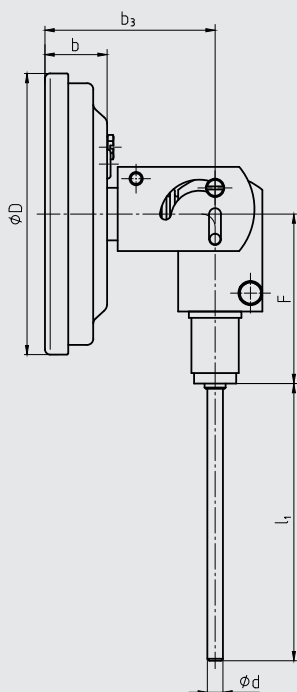


14183334.02

Nominal size	Dimensions in mm [in]								
	NS in mm ["]	Ø D	Ø d	b	b <sub>1</sub> <sup>1)</sup>		b <sub>2</sub>	F	
					G thread	NPT thread		G thread	NPT thread
63 [2,5]	70 [2.76]		<ul style="list-style-type: none"> <li>■ 6 [0.24]</li> <li>■ 8 [0.32]</li> </ul>	24 [0.95]	45 [1.77]	38 [1.5]	39 [1.54]	81 [3.19]	77 [3.03]
80 [3]	83 [3.27]		<ul style="list-style-type: none"> <li>■ 6 [0.24]</li> <li>■ 8 [0.32]</li> </ul>	23 [0.91]	44 [1.73]	37 [1.46]	38 [1.5]	88 [3.47]	84 [3.31]
100 [4]	107 [4.21]		<ul style="list-style-type: none"> <li>■ 6 [0.24]</li> <li>■ 8 [0.32]</li> </ul>	24 [0.95]	45 [1.77]	38 [1.5]	39 [1.54]	100 [3.94]	95 [3.74]
160 [6]	167 [6.58]		<ul style="list-style-type: none"> <li>■ 6 [0.24]</li> <li>■ 8 [0.32]</li> </ul>	24 [0.95]	45 [1.77]	38 [1.5]	39 [1.54]	130 [5.12]	125 [4.92]

1) With scale ranges ≥ 0 ... 300 °C the dimensions increase by 40 mm [1.58"]

### Back mount, adjustable stem and dial



14183335.02

Nominal size	Dimensions in mm [in]				
NS in mm ["]	Ø D	Ø d	b	b <sub>3</sub>	F
63 [2,5]	70 [2.76]	■ 6 [0.24]	24 [0.95]	65 [2.56]	67 [2.64]
		■ 8 [0.32]			
80 [3]	83 [3.27]	■ 6 [0.24]	23 [0.91]	64 [2.52]	67 [2.64]
		■ 8 [0.32]			
100 [4]	107 [4.21]	■ 6 [0.24]	24 [0.95]	65 [2.56]	67 [2.64]
		■ 8 [0.32]			
160 [6]	167 [6.58]	■ 6 [0.24]	24 [0.95]	65 [2.56]	67 [2.64]
		■ 8 [0.32]			

### Ordering information

Model / Nominal size / Connection location / Connection design / Unit / Scale range /  
Process connection / Stem diameter / Insertion length I<sub>1</sub> / Approvals / Certificates / Options

© 10/2018 WIKA Alexander Wiegand SE & Co. KG, all rights reserved.  
The specifications given in this document represent the state of engineering at the time of publishing.  
We reserve the right to make modifications to the specifications and materials.  
In case of a different interpretation of the translated and the English data sheet, the English wording shall prevail.

برای خرید  
اسکن کنید



نیک تک بهسازان کهن (سهامی خاص)  
تامین و تولید ابزارآلات دقیق و کنترل صنعتی

تهران - خیابان بخارست - کوچه یکم - پلاک ۱۹  
طبقه همکف کدپستی ۱۵۱۳۶-۳۸۳۱۳



☎ 021- 88100370 ✉ info@niktec.ir



**WIKAL Alexander Wiegand SE & Co. KG**  
Alexander-Wiegand-Straße 30  
63911 Klingenberg/Germany  
Tel. +49 9372 132-0  
info@wika.de  
www.wika.de