

# Bourdon tube pressure gauge, stainless steel

## Compact version, NS 40, 50 and 63

### Model 131.11

WIKA data sheet PM 01.05



for further approvals see  
page 3

### Applications

- For gaseous and liquid aggressive media that are not highly viscous or crystallising, also in aggressive environments
- Machine building and general plant construction
- Indication of failure alarm on gas cylinders
- CDA (clean dry air) applications

### Special features

- Case and wetted parts from stainless steel
- Cost-effective and reliable
- Scale ranges from 0 ... 0.6 to 0 ... 1,000 bar



**Bourdon tube pressure gauge model 131.11.050 with dual scale bar/psi**

### Description

The compact model 131.11 Bourdon tube pressure gauge is constructed with a case and wetted parts from stainless steel. The instrument meets the requirements of the international industry standard EN 837-1.

The modular design enables a multitude of combinations of process connections, nominal sizes and scale ranges. Due to this high variance, the instrument is suitable for use in a wide range of applications within industry.

The instrument is frequently used as a failure alarm indicator on gas cylinders. With its compact design and moderate purchase costs, the pressure gauge also qualifies for machine-building and plant-construction applications.

Due to the use of high-quality stainless steel materials and its robust design, the instrument is suitable for liquid and gaseous media, also in aggressive environments.

For mounting in control panels, the pressure gauges can be fitted with a surface mounting flange or with a triangular bezel and mounting bracket.

## Description

### Design

EN 837-1

### Nominal size in mm

40, 50, 63

### Accuracy class

2.5

### Scale ranges

NS 40, 50: 0 ... 1 to 0 ... 600 bar

NS 63: 0 ... 1 to 0 ... 1,000 bar

or all other equivalent vacuum or combined pressure and vacuum ranges

### Pressure limitation

Steady: 3/4 x full scale value

Fluctuating: 2/3 x full scale value

Short time: Full scale value

### Permissible temperature

Ambient: -40 ... +60 °C

Medium: +100 °C maximum

### Temperature effect

When the temperature of the measuring system deviates from the reference temperature (+20 °C): max.  $\pm 0.4 \%$ /10 K of full scale value

### Ingress protection per IEC/EN 60529

IP54

### Process connection

Stainless steel 1.4571

Lower mount (radial) or centre back mount

G 1/4 B (male), SW 14

### Pressure element

Stainless steel 316L

C-type or helical type

### Movement

Stainless steel

### Dial

Aluminium, white, black lettering, with pointer stop pin

### Pointer

Aluminium, black

### Case

Stainless steel

### Window

Polycarbonate, snap-fitted in case

## Options








- Other process connection
- Sealings (model 910.17, see data sheet AC 09.08)
- Diaphragm seal assembly
- Slip-on bezel, stainless steel or polished stainless steel
- Window from instrument glass or laminated safety glass (both only in combination with slip-on bezel)
- Panel mounting flange, polished stainless steel (only for back mount connection)
- Surface mounting flange, stainless steel (NS 63)
- Triangular bezel, polished stainless steel, with clamp (only for back mount connection)

## Special versions

### Measuring instruments for ammonia plants (NS 63)

With temperature scale for refrigerant R 717 (NH<sub>3</sub>) in °C, scale ranges: -1 ... 0 ... 15 bar or -1 ... 0 ... 26 bar

## Approvals

Logo	Description	Country
	<b>EU declaration of conformity</b> Pressure equipment directive PS > 200 bar, module A, pressure accessory	European Union
	<b>EAC (option)</b> Pressure equipment directive	Eurasian Economic Community
	<b>GOST (option)</b> Metrology, measurement technology	Russia
	<b>KazInMetr (option)</b> Metrology, measurement technology	Kazakhstan
-	<b>MTSCHS (option)</b> Permission for commissioning	Kazakhstan
	<b>BelGIM (option)</b> Metrology, measurement technology	Belarus
	<b>UkrSEPRO (option)</b> Metrology, measurement technology	Ukraine
	<b>Uzstandard (option)</b> Metrology, measurement technology	Uzbekistan
-	<b>CPA</b> Metrology, measurement technology	China
-	<b>CRN</b> Safety (e.g. electr. safety, overpressure, ...)	Canada
-	<b>KBA (option)</b> Automotive	European Union

## Certificates (option)

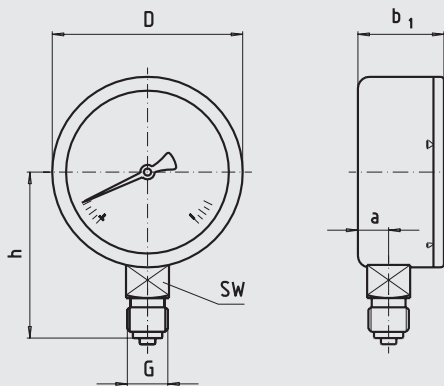
- 2.2 test report per EN 10204 (e.g. state-of-the-art manufacturing, material proof, indication accuracy)
- 3.1 inspection certificate per EN 10204 (e.g. material proof for wetted metal parts, indication accuracy)

Approvals and certificates, see website

## Dimensions in mm

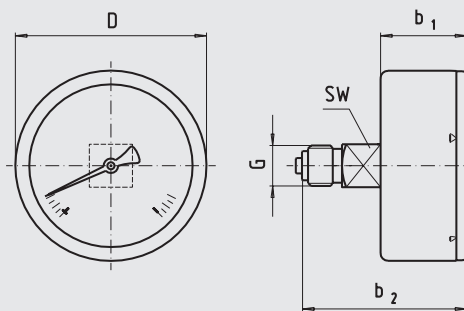
### Standard version

#### Lower mount (radial)



2184087.01

#### Centre back mount



2184109.01

NS	Dimensions in mm							Weight in kg
	a	b <sub>1</sub> ±1	b <sub>2</sub> ±1	D	G	h ±1	SW	
40	9	28	52.5	39	G ¼ B	39	14	0.05
50	9.6	28	53.5	49	G ¼ B	47	14	0.09
63	10	28	53.5	62	G ¼ B	54	14	0.12

Process connection per EN 837-1 / 7.3

### Ordering information

Model / Nominal size / Scale range / Process connection / Connection location / Options

© 02/2009 WIKA Alexander Wiegand SE & Co. KG, all rights reserved.  
The specifications given in this document represent the state of engineering at the time of publishing.  
We reserve the right to make modifications to the specifications and materials.

