



ARMATUREN FÜR DIE INDUSTRIE

Butterfly valve 140 M

This butterfly valve is available as a narrow wafer type butterfly valve in two lengths and can be used for bulks, liquids and gases.

It is used wherever space savings in the outer diameter is important. Due to the extensive selection of different materials, the valve can be used in many ways. The design enables almost all desired flange dimensions.

Customer-specific structures for this butterfly valve can be implemented individually.

Product details

Application area	Plant construction, Process technology, Pharmaceutical industry, Chemical industry, Rail wagon, Silo / Tank vehicles, Food industry, Thermal power plants, Feed industry, Waste incineration plants, Construction machinery, Building materials, Shipbuilding
Installation situation	Wafer type / Lug type
Medium/Physical state	Bulks, Liquids, Gases
Diameter	DN 50 – DN 500
Pressure range	-0,8 bar bis +6 bar *



Materials

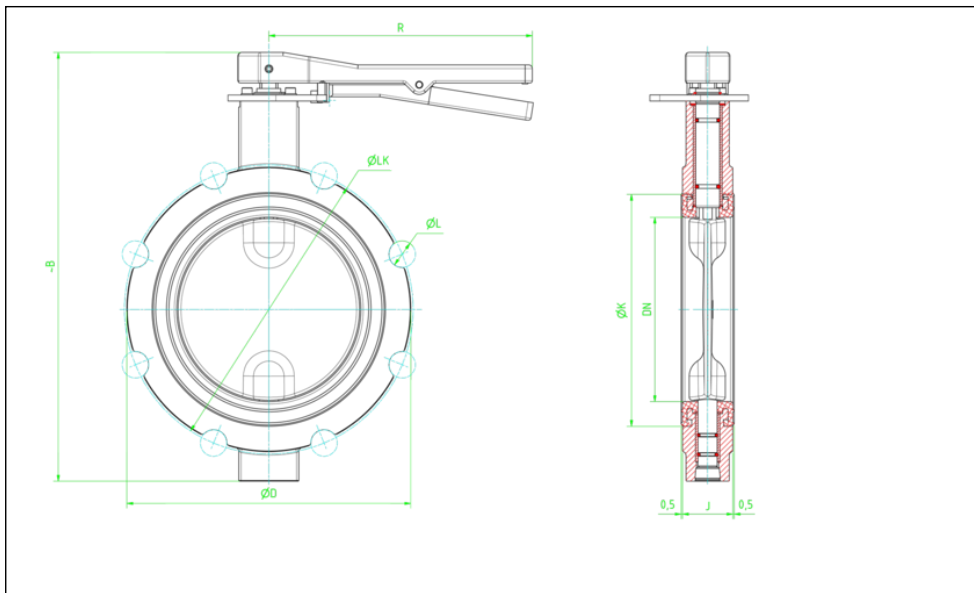
Casing	Alloy / Stainless steel / Steel / EN-GJS-400-15 / Special materials
Face to Face length	KRAFT factory standard, EN 558-1 line 20
Disc	Steel / Stainless steel / (Coating possible on request)
Shaft	Steel / Stainless steel
Bearing pin	Steel / Stainless steel
Sealing	NBR, EPDM, PUR, AU, MVQ, FKM
Flange boring	PN 6, PN 10, Special flange boring on request
Actuation	Pneumatic driven (double acting / single acting) Electric driven (setting drive / variable speed drive) Handwormgear Hydraulic driven Handlever, customs locking device optional

Certificate	according to DGRL 2014/68/EU according to FDA 177.2600 according to VO EG 1935/2004 according to EAC
Application area	ATEX zone 0/20 – 2/22

Advantages

- ✓ easy maintenance
- ✓ long lifetime
- ✓ Special sizes on request
- ✓ Constructions possible according to customer requirements
- ✓ customized versions on request

Dimension drawing



Dimensions

DN	~B	$\varnothing D$	$\varnothing K$	J		R	$\varnothing LK$	L	Z
				KW	DIN				
							PN 10 / EN 1092		
50	222	125	81	35	43	180	125	18	4
65	239	155	96	35	46	180	145	18	8
80	254	155	111	35	46	180	160	18	8
100	274	175	132	35	52	180	180	18	8

DN	~B	Ø D	Ø K	J		R	Ø LK	L	Z
125	315	216	166	41	56	220	210	18	8
150	345	236	191	41	56	220	240	22	8
200	399	288	243	51	60	220	295	22	8