

Overpressure safety device, Pressure gauge push-button stop cock

Overpressure safety device

Application Adjustable overpressure safety device used to protect the system against peak pressures exceeding the range of the pressure gauge. At measuring points which are subject to great pressure variations, you can install different pressure gauges with different ranges in order to precisely measure even the lower pressures. The overpressure safety devices are adjusted according to the maximum permissible pressure ratings of the various pressure gauges installed.

Technical specifications

Function

When the set pressure is reached, a piston valve shuts off the port to the pressure gauge. After the pressure has dropped to a value of approx. 25 % below the closing pressure, the valve opens again.

Operating temperature range

Max. +80 °C

Overpressure safety

Brass: 600 bar

Stainless steel: 1,000 bar

Max. vacuum range up to -1 bar, no adjustment function

Connection

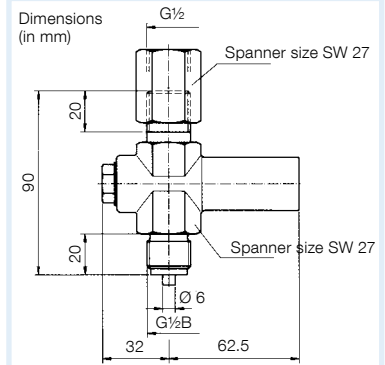
G $\frac{1}{2}$ female/female connection x male connection

Materials overpressure safety device

Parts	Brass	Stainless steel
Housing	Brass	316 Ti
Piston	316 Ti	316 Ti
Female/female connection	Steel	303
Diaphragm	FKM	FKM
O ring	FKM	FKM



Overpressure safety device



Pressure gauge push-button stop cock

Pressure gauge push-button stop cock

Application Shut-off element between measuring line and pressure gauge. Normally, the push-button stop cock is closed. In this state, there is no pressure applied to the pressure gauge. Push the button to apply pressure to the pressure gauge and to display the operating pressure. Suitable for gases as per DVGW G260 and SVGW.

Technical specifications

Test

DVGW- and SVGW-tested, with EC Type Examination Certificate, product ID number CE-0085AQ0985

Operating temperature range

Medium: 0/70 °C

Ambient: -20/+60 °C

Connection

2 x female thread

Rp $\frac{1}{2}$, EN 10226

Rp $\frac{1}{4}$ EN 10226

$\frac{1}{2}$ NPT (without test)

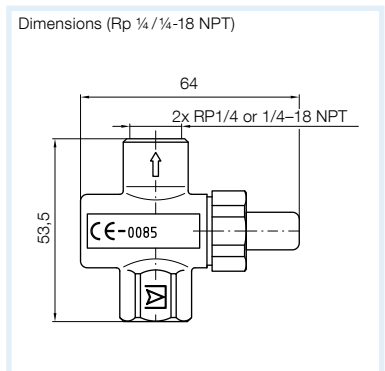
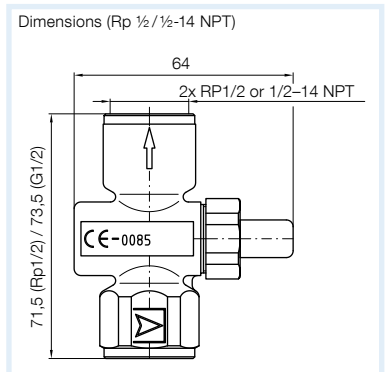
$\frac{1}{4}$ NPT (without test)

Nominal pressure

5 bar (MOP 5)

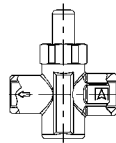
Housing

Brass, nickel-plated

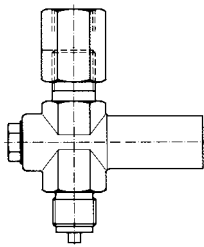


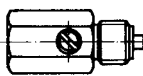
Accessories for pressure gauges

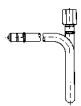

DG: H

Pressure gauge push-button stop cock female x female – DVGW- and SVGW-tested/CE-0085AQ0985						
	Connection	Nominal pressure	Material	PG	Part no.	Price €
	Rp 1/2, EN 10226	MOP 5	Brass, nickel-plated	2	63031	
	Rp 1/4, EN 10226	MOP 5	Brass, nickel-plated	2	63191	
	1/4-18 NPT*	MOP 5	Brass, nickel-plated	2	63193	
	1/2-14 NPT*	MOP 5	Brass, nickel-plated	2	63235	



* Without DVGW and SVGW approval.

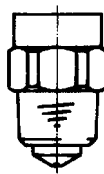


Overpressure safety device G1/2 female/female connection x male – adjustable, vacuum-tight									
	Adjustment range in bar	Material	PG	Part no.	Price €	Material	PG	Part no.	Price €
	0.4 - 2.5	Brass	2	63131		316 Ti	3	63139	
	2-6	Brass	2	63132		316 Ti	3	63140	
	5-25	Brass	2	63133		316 Ti	3	63141	
	20-60	Brass	2	63134		316 Ti	3	63142	
	50-250	Brass	2	63135		316 Ti	3	63143	
	240-400	Brass	2	63136		316 Ti	3	63144	
Extra charge oil-free and grease-free			-	63137	On request		-	63145	On request
Extra charge DVGW-tested			-	63138	On request		-	63146	On request

Damping device (pressure surge protection) female x male – adjustable						
	Connection	Nominal pressure	Material	PG	Part no.	Price €
	G1/2	PN 400	Brass	2	63074	
	G1/2	PN 400	Steel	3	63075	
	G1/2	PN 400	316 Ti	3	63076	

Siphon DIN 16282 – outlet female/female connection G1/2								
U shape		Type	Inlet	Material	Nominal pressure	PG	Part no.	Price €
		A*	G1/2B	Steel	PN 100	3	63147	
Circular shape		B	Without thread, welded end 20 x 2.6 mm	Steel	PN 100	3	63148	
		A*	G1/2B	316 Ti	PN 100	3	63149	
		C*	G1/2B	Steel	PN 100	3	63150	
		D	Without thread, welded end 20 x 2.6 mm	Steel	PN 100	3	63151	
		C*	G1/2B	316 Ti	PN 100	3	63152	

* Types A and C are no longer provided for in the new DIN edition.

Siphon – standard – inlet G1/2								
U shape	Circular shape	Type	Outlet	Material	Nominal pressure	PG	Part no.	Price €
		U	G1/2B	Steel	PN 25	3	63085	
		U	Female/female connection G1/2B	Steel	PN 25	3	63153	
		Circular	G1/2B	Steel	PN 25	3	63081	
		Circular	Female/female connection G1/2B	Steel	PN 25	3	63154	

Mounting valve with self-sealing coating – automatically closes when the pressure gauge is replaced								
	Female connection	Male connection	Material	PG			Part no.	Price €
	G1/4	G1/4	Brass	2	1	–	77907	
	G1/4	G3/8	Brass	2	1	–	77908	
	G3/8	G3/8	Brass	2	1	–	77917	
	G1/4	G1/2	Brass	2	1	–	77914	
	G3/8	G1/2	Brass	2	25	250	77918	